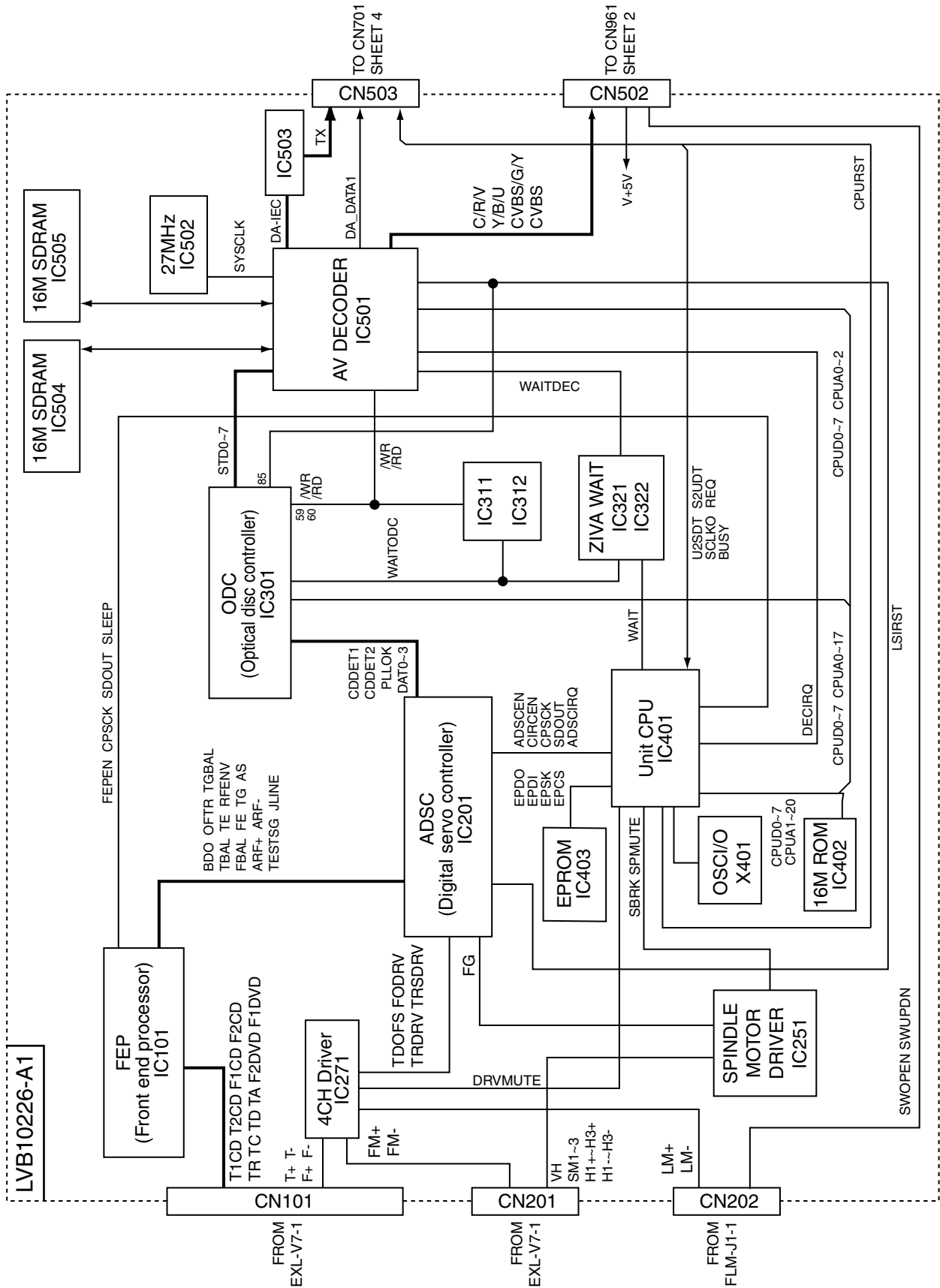
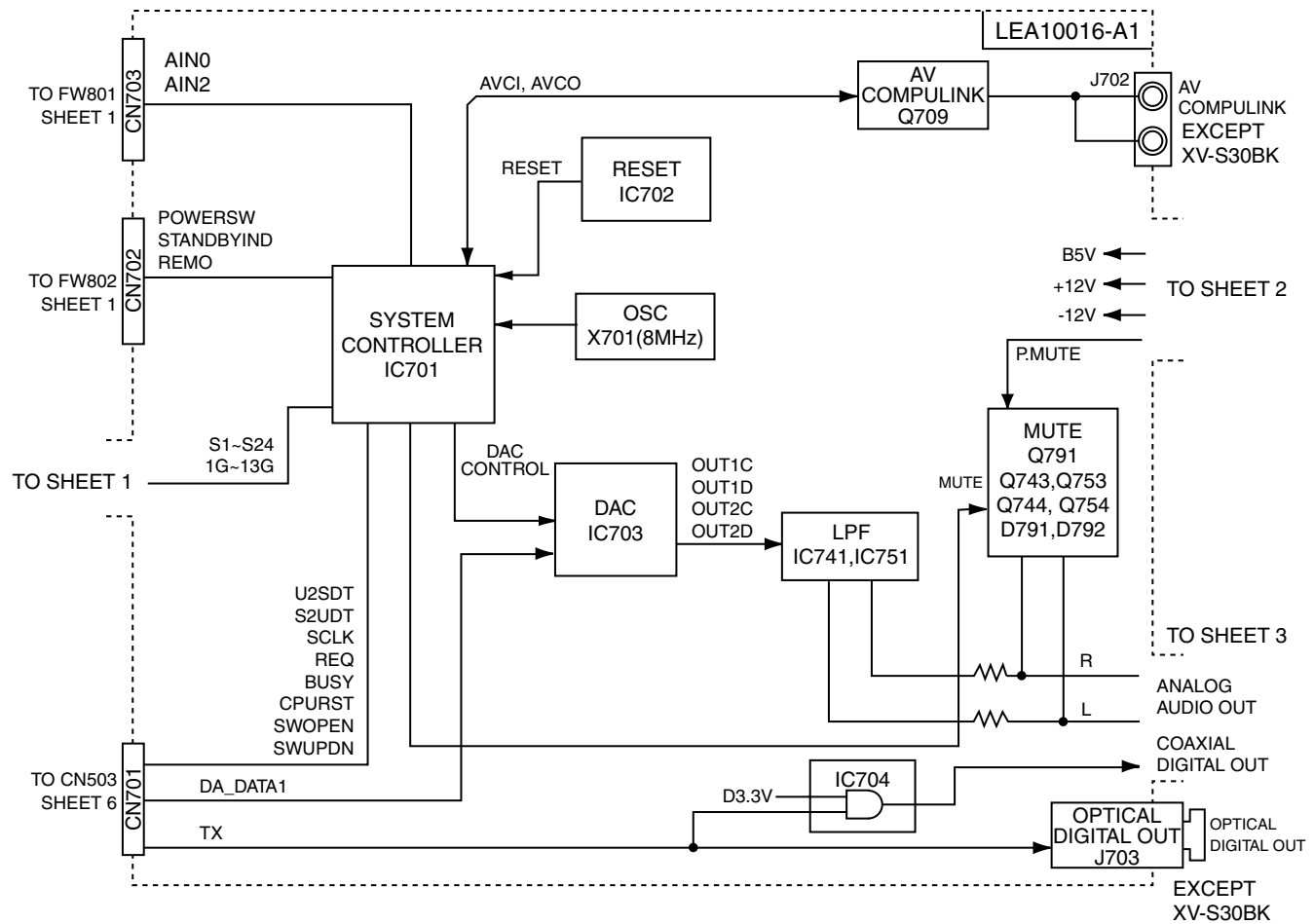


Block diagrams

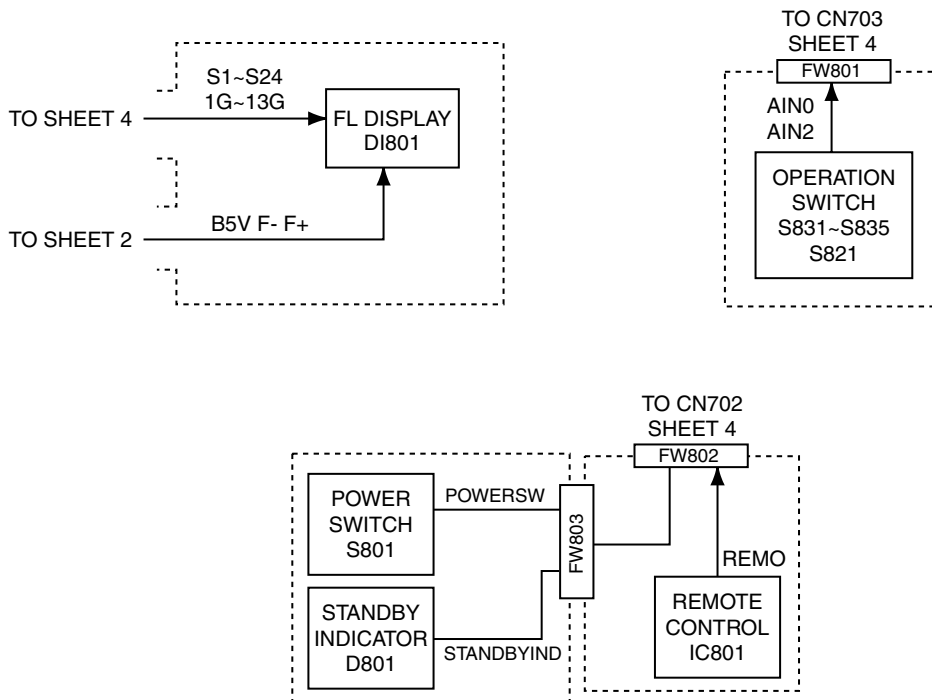
■ DVD Servo control & AV decoder section(SHEET 5,6)



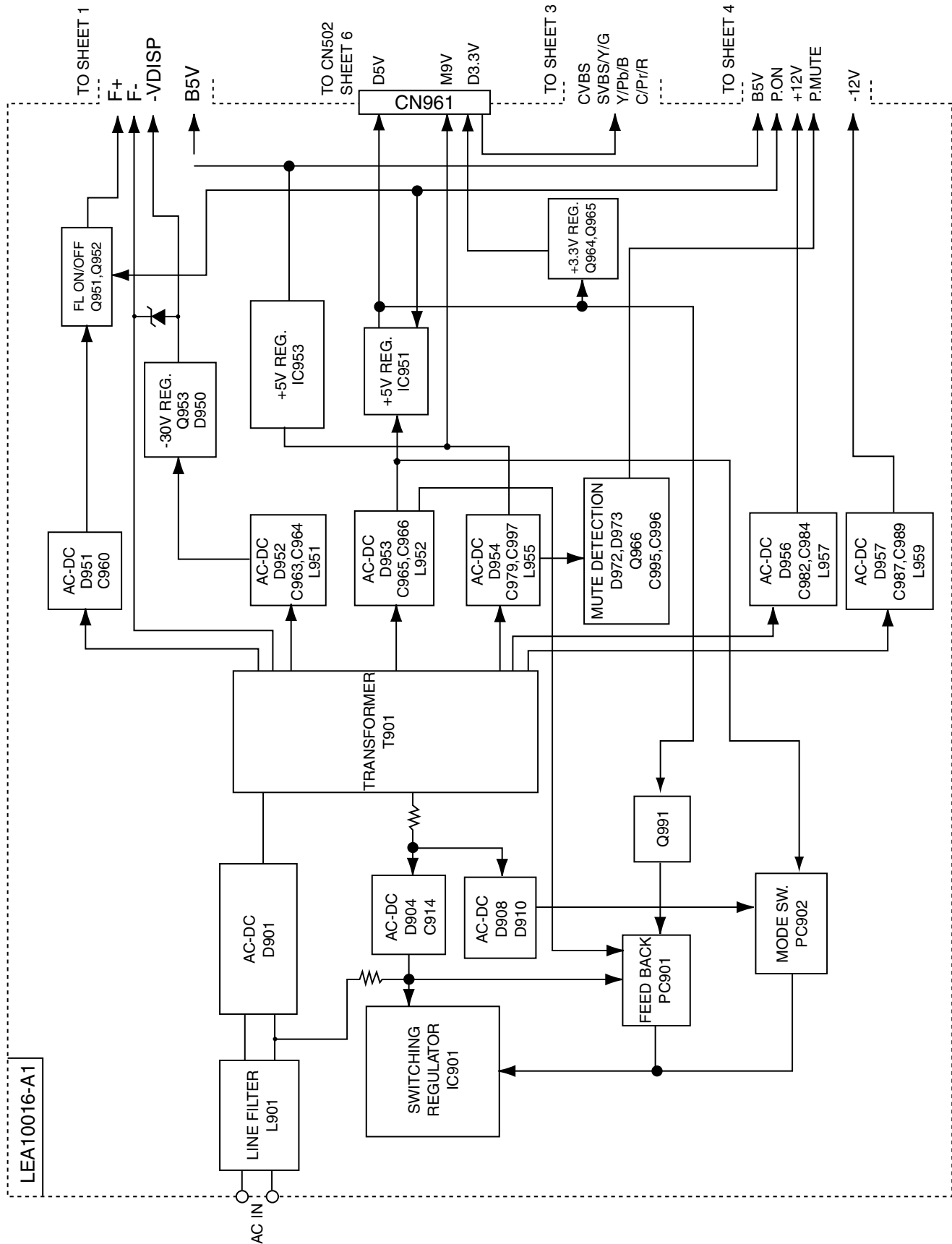
■ System control & audio output section(SHEET 4)



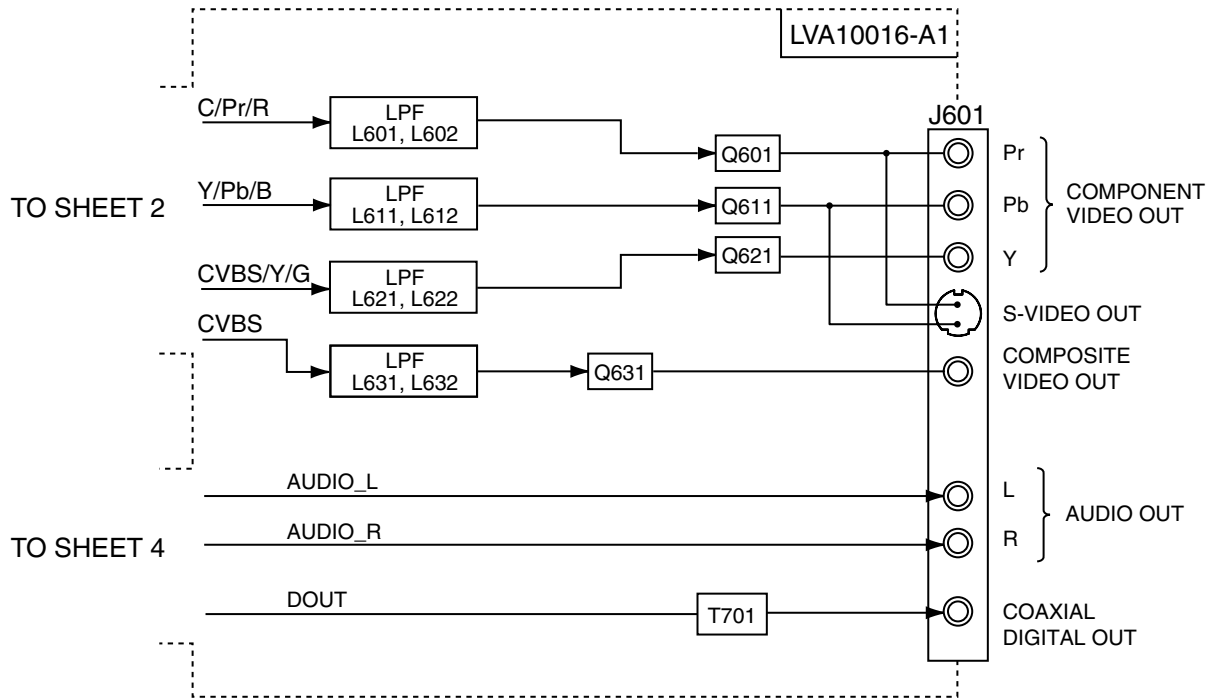
■ FL Display & Operation switch section(SHEET 1)



■ DC Regulator section (SHEET 2)



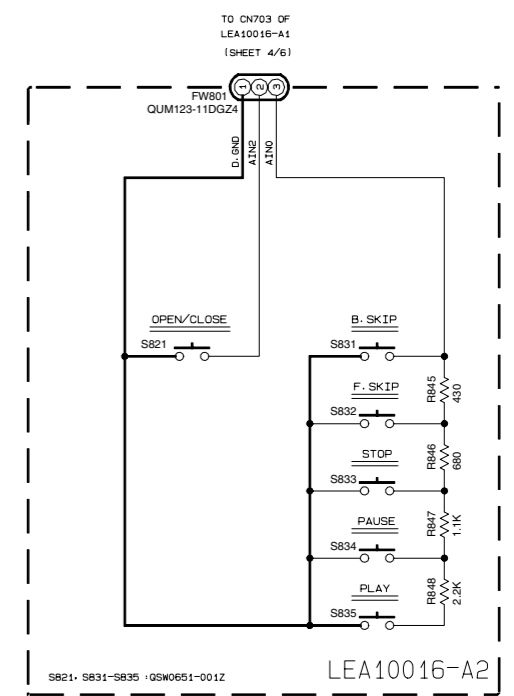
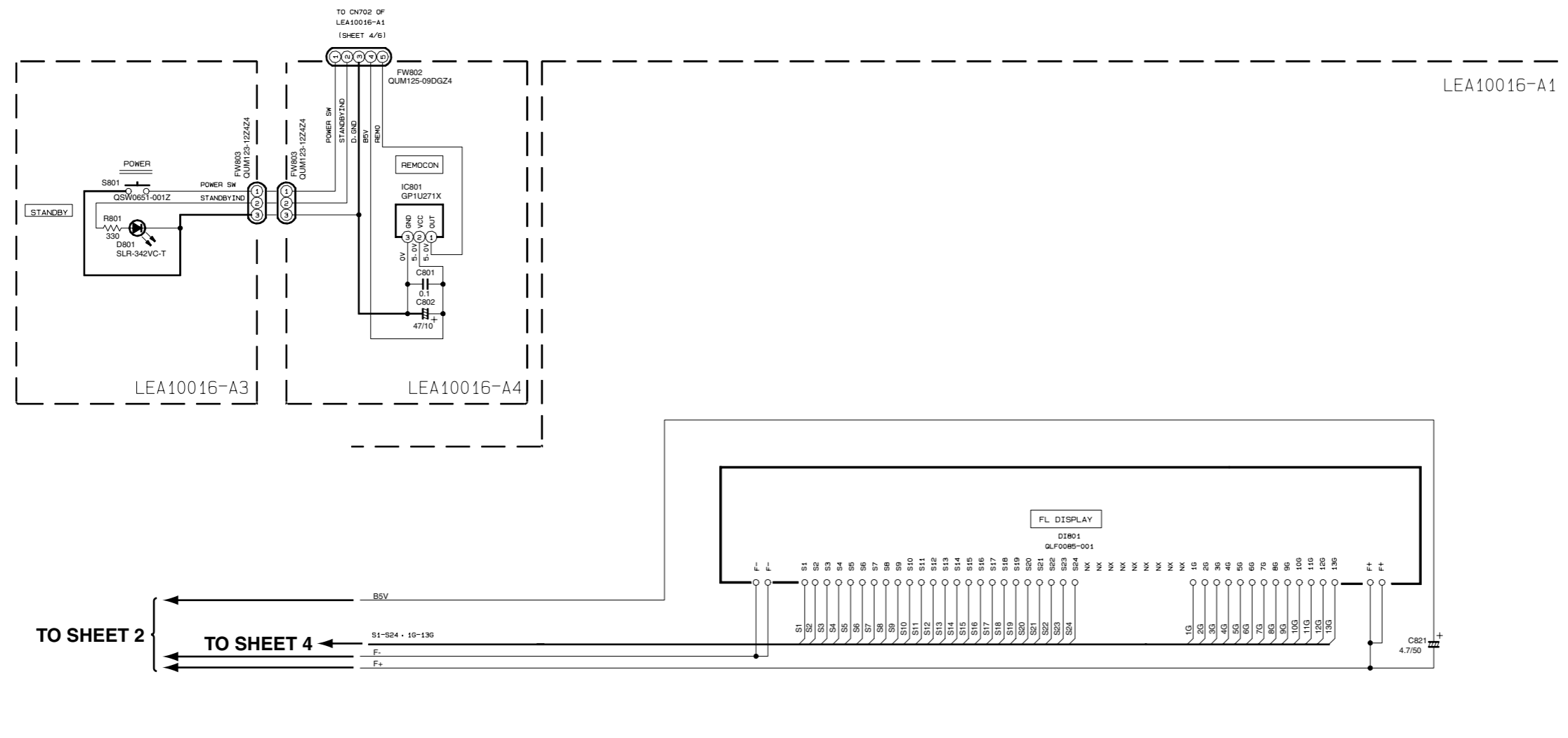
■ Audio & Video signal output section(SHEET 3)



Standard schematic diagrams

■ FL Display & operation switch section

7
6
5
4
3
2
1



- NOTES
- VOLTAGES ARE DC-MEASURED WITH A DIGITAL VOLT METER WITHOUT INPUT SIGNAL. CONDITION --- POWER ON NO DISC.
 - UNLESS OTHERWISE SPECIFIED.
 - ALL RESISTORS ARE 1/4W ±5% CARBON RESISTOR.
 - ALL CAPACITORS ARE 50V CERAMIC CAPACITOR.
 - ALL RESISTANCE VALUES ARE IN OHM(Ω).
 - ALL CAPACITANCE VALUES ARE IN μF(PμF).
 - ALL E. CAPACITORS ARE SHOWN IN THE FORM OF CAPACITANCE(μF)/RATED VOLTAGE (V).

MODEL
XV-S40BK/S42SL/S45GD/S30BK
/E100SL/S100

SHEET
1 / 6

A B C D E F G H I J

Power supply section

Ver. J/C

120V 60Hz

Ver. E/EN/EE/EV/B

230V 50Hz

Ver. UJ/UG/US/UW
/UF/UX/UT/UY/UP

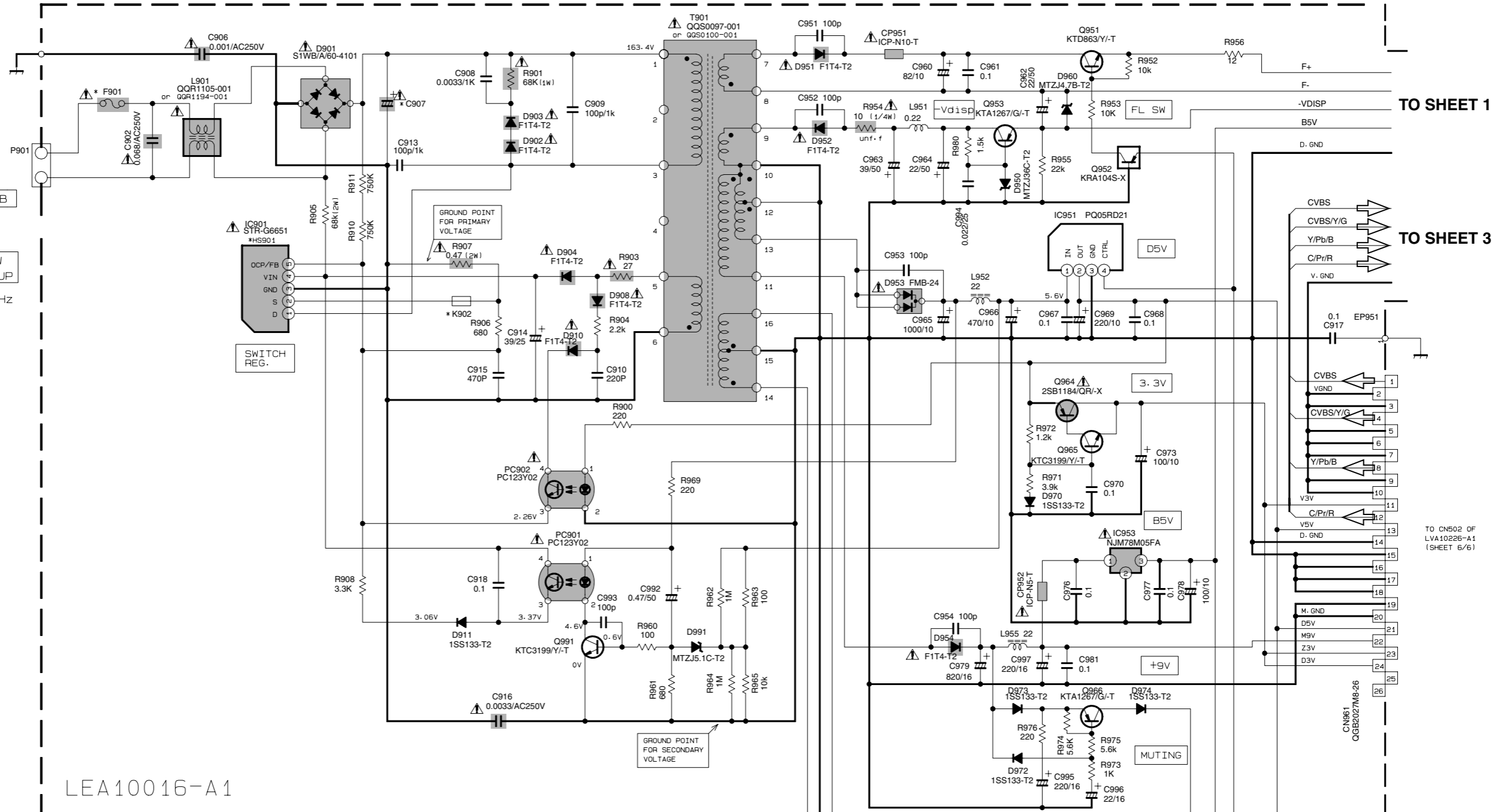
110-240V 50/60Hz

Ver. A

240V 50Hz

Ver. D

100V 50/60Hz



VERSION CODES

J: U.S.A.	C: CANADA	D: JAPAN	E: GERMANY/FRANCE/HOLLAND/SWITZERLAND/ITALY	EN: SWEDEN/NORWAY/FINLAND/DENMARK	EE: RUSSIA	EV: EAST EUROPE	B: GREAT BRITAIN	A: AUSTRALIA	UW: BRAZIL/MEXICO/PERU	US: SINGAPOLE/MALAYSIA/PHILIPPINES	UX: SAUDI ARABIA	UF: CHAINA	UT: TAIWAN	UY: ARGENTINA	UJ: USA MILITARY BASE	UP: KOREA	UG: TURKEY/EGYPT/SOUTH AFRICA
-----------	-----------	----------	---	-----------------------------------	------------	-----------------	------------------	--------------	------------------------	------------------------------------	------------------	------------	------------	---------------	-----------------------	-----------	-------------------------------

REF NO	Ver	J/C/D	B/E/EN/EE/EV/A	UJ/UG/US/UW/UY/UP
F901		QM51U1-1R6-JB 1.6A-125V	QM51E2-1R6-J1 T1.6A-250V	QM51E2-1R6-J1 T1.6A-250V
K902		QGR11B3-001Z	0	0
HS901		NONE	E70306-002	E70306-002
C907		150/200	82/400	120/400

Parts are safety assurance parts. When replacing those parts make sure to use the specified one.

Video signal

MODEL
XV-S40BK/S42SL/S45GD/S30BK
/E100SL/S100

SHEET
2
6

TO SHEET 1

TO SHEET 3

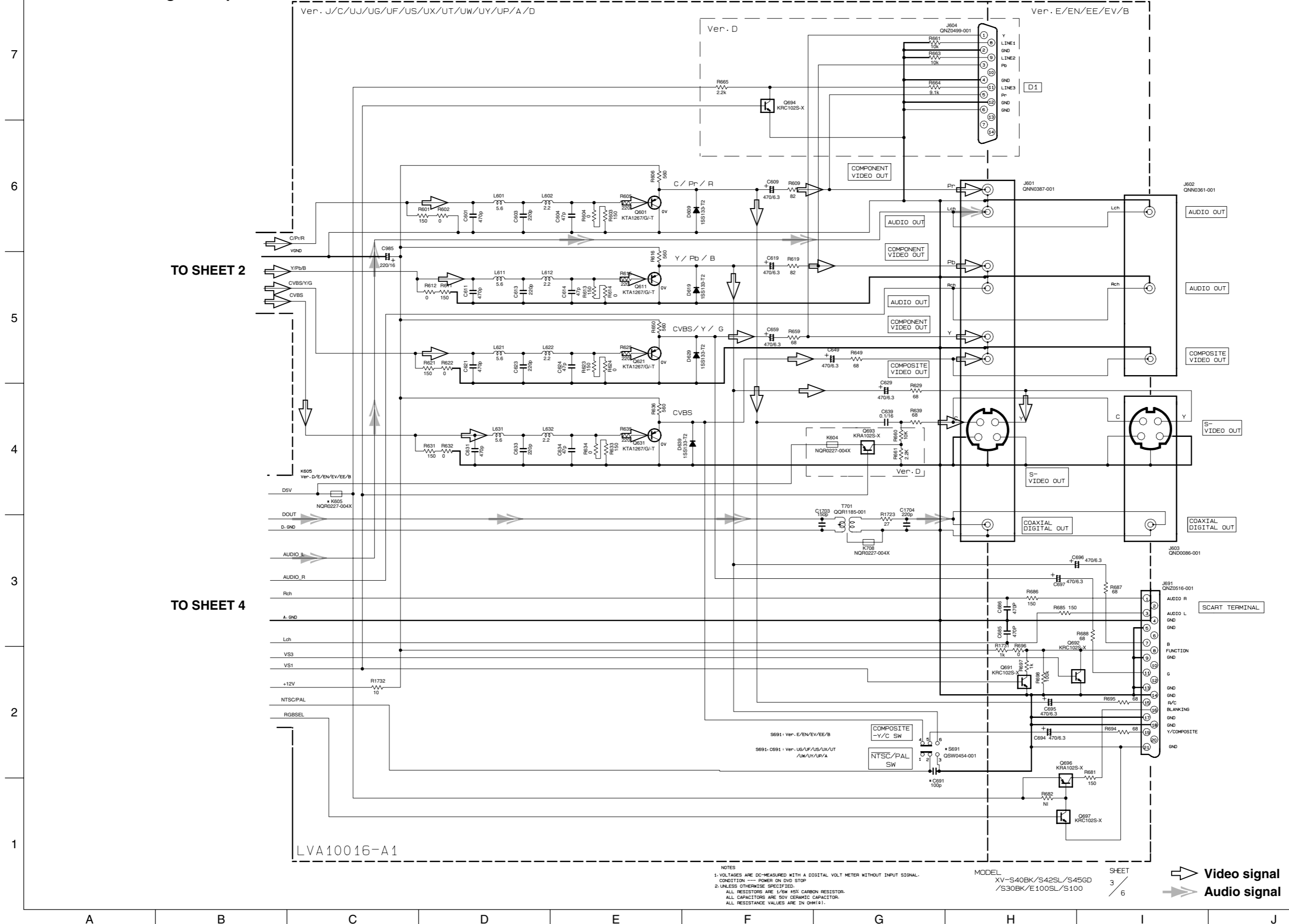
TO SHEET 4

TO CN502 OF LVA10226-A1 (SHEET 6/6)

7
6
5
4
3
2
1

A B C D E F G H I J

■ Audio / video signal output section



LVA10016-A1

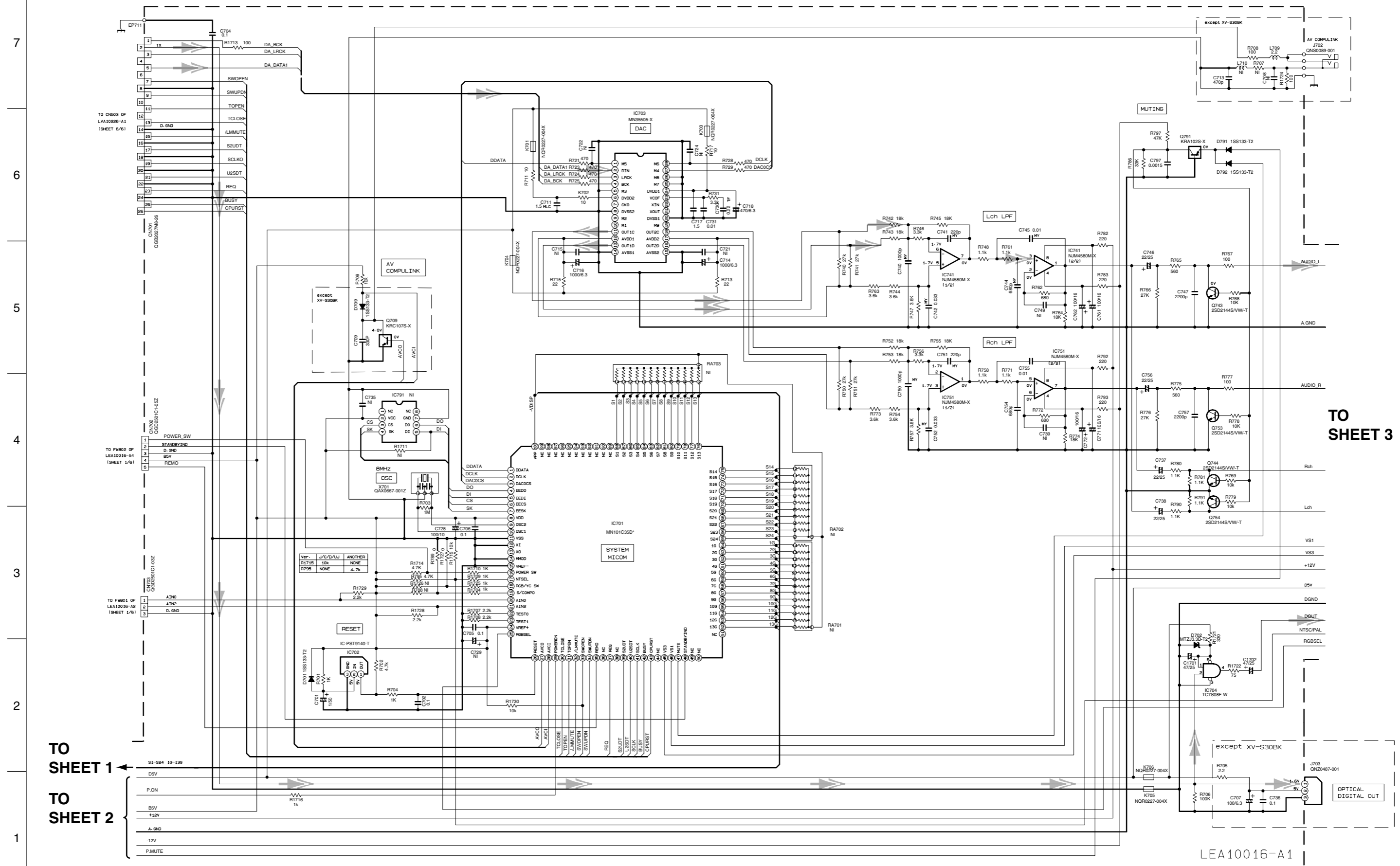
NOTES
 1. VOLTAGES ARE DC-MEASURED WITH A DIGITAL VOLT METER WITHOUT INPUT SIGNAL.
 CONDITION --- POWER ON DVD STOP
 2. UNLESS OTHERWISE SPECIFIED:
 ALL RESISTORS ARE 1/6W ±5% CARBON RESISTOR.
 ALL CAPACITORS ARE 50V CERAMIC CAPACITOR.
 ALL RESISTANCE VALUES ARE IN OHM(S).

MODEL
 XV-S40BK/S42SL/S45GD
 /S30BK/E100SL/S100

SHEET
 3 / 6

Video signal
 Audio signal

■ System control & audio signal DAC section



TO SHEET 1
TO SHEET 2

TO SHEET 3

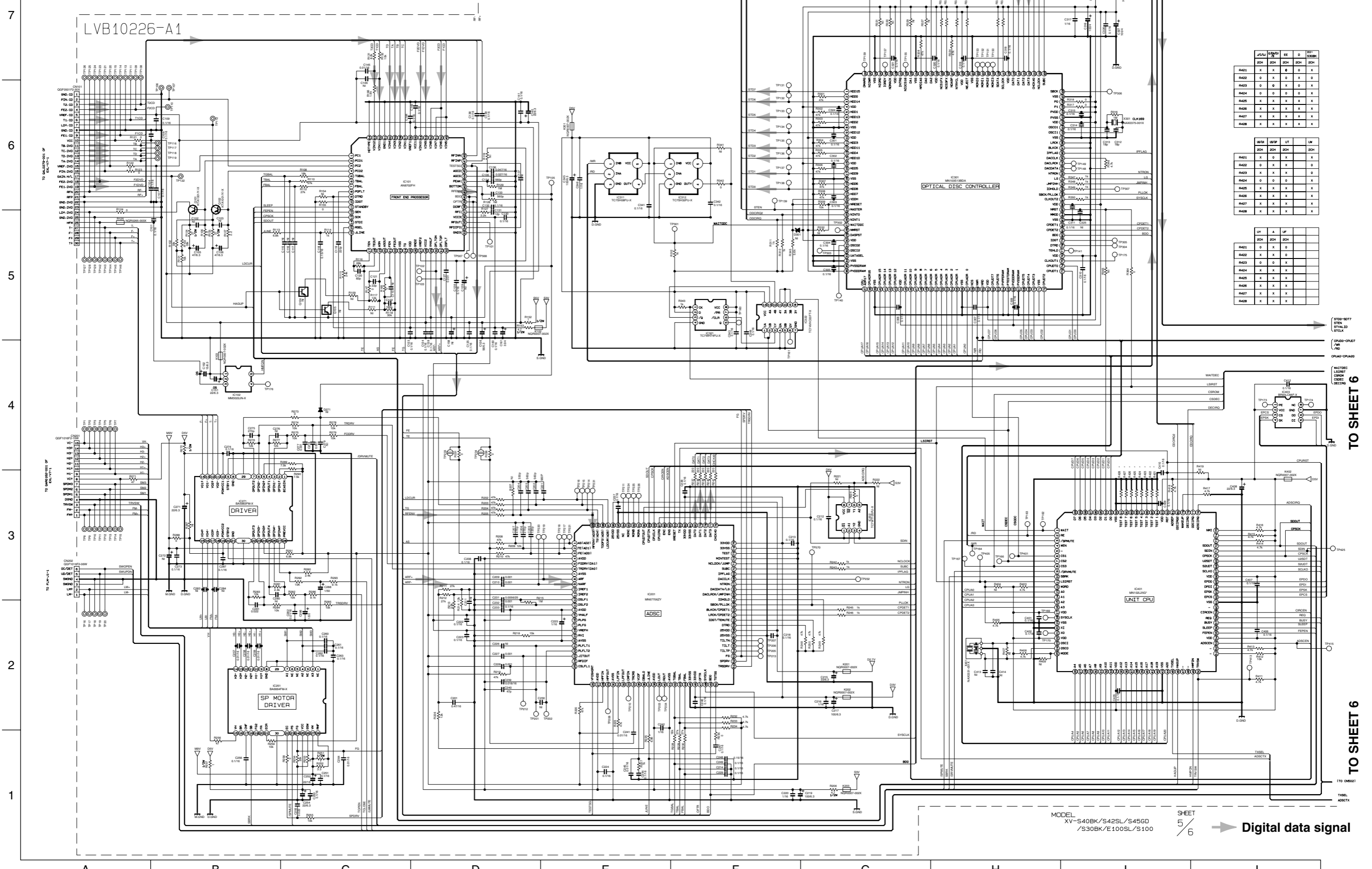
➔ Audio signal

MODEL XV-S40BK/S42SL/S45GD
/S30BK/E100SL/S100

LEA10016-A1

SHEET 4 / 6

■ DVD Servo control section



JCPU	MP	EE	D	PT
2CH	2CH	2CH	2CH	2CH
RAH1	X	X	B	X
RAH2	O	X	O	X
RAH3	O	O	X	X
RAH4	O	O	O	X
RAH5	X	X	X	X
RAH7	X	X	X	X
RAH8	X	X	X	X

UV	MP	UT	2CH
2CH	2CH	2CH	2CH
RAH1	X	X	X
RAH2	O	X	O
RAH3	X	X	X
RAH4	X	X	X
RAH5	X	X	X
RAH7	X	X	X
RAH8	X	X	X

UV	X	UF
2CH	2CH	2CH
RAH1	O	X
RAH2	X	O
RAH3	O	O
RAH4	X	X
RAH5	X	X
RAH7	X	X
RAH8	X	X

STOP-DET
STAN-LED
FLK

CPUS-CPUS7
LAB
CPUS-CPUS2

WAITREC
LEST
CSROM
CIBLOC
DEBIO

CPUS17
CPUS18
CPUS19
CPUS20
CPUS21
CPUS22
CPUS23
CPUS24
CPUS25
CPUS26
CPUS27
CPUS28
CPUS29
CPUS30
CPUS31
CPUS32
CPUS33
CPUS34
CPUS35
CPUS36
CPUS37
CPUS38
CPUS39
CPUS40
CPUS41
CPUS42
CPUS43
CPUS44
CPUS45
CPUS46
CPUS47
CPUS48
CPUS49
CPUS50
CPUS51
CPUS52
CPUS53
CPUS54
CPUS55
CPUS56
CPUS57
CPUS58
CPUS59
CPUS60
CPUS61
CPUS62
CPUS63
CPUS64
CPUS65
CPUS66
CPUS67
CPUS68
CPUS69
CPUS70
CPUS71
CPUS72
CPUS73
CPUS74
CPUS75
CPUS76
CPUS77
CPUS78
CPUS79
CPUS80
CPUS81
CPUS82
CPUS83
CPUS84
CPUS85
CPUS86
CPUS87
CPUS88
CPUS89
CPUS90
CPUS91
CPUS92
CPUS93
CPUS94
CPUS95
CPUS96
CPUS97
CPUS98
CPUS99
CPUS100

ADSCING
ADSC1
ADSC2
ADSC3
ADSC4
ADSC5
ADSC6
ADSC7
ADSC8
ADSC9
ADSC10
ADSC11
ADSC12
ADSC13
ADSC14
ADSC15
ADSC16
ADSC17
ADSC18
ADSC19
ADSC20
ADSC21
ADSC22
ADSC23
ADSC24
ADSC25
ADSC26
ADSC27
ADSC28
ADSC29
ADSC30
ADSC31
ADSC32
ADSC33
ADSC34
ADSC35
ADSC36
ADSC37
ADSC38
ADSC39
ADSC40
ADSC41
ADSC42
ADSC43
ADSC44
ADSC45
ADSC46
ADSC47
ADSC48
ADSC49
ADSC50
ADSC51
ADSC52
ADSC53
ADSC54
ADSC55
ADSC56
ADSC57
ADSC58
ADSC59
ADSC60
ADSC61
ADSC62
ADSC63
ADSC64
ADSC65
ADSC66
ADSC67
ADSC68
ADSC69
ADSC70
ADSC71
ADSC72
ADSC73
ADSC74
ADSC75
ADSC76
ADSC77
ADSC78
ADSC79
ADSC80
ADSC81
ADSC82
ADSC83
ADSC84
ADSC85
ADSC86
ADSC87
ADSC88
ADSC89
ADSC90
ADSC91
ADSC92
ADSC93
ADSC94
ADSC95
ADSC96
ADSC97
ADSC98
ADSC99
ADSC100

ADSC1
ADSC2
ADSC3
ADSC4
ADSC5
ADSC6
ADSC7
ADSC8
ADSC9
ADSC10
ADSC11
ADSC12
ADSC13
ADSC14
ADSC15
ADSC16
ADSC17
ADSC18
ADSC19
ADSC20
ADSC21
ADSC22
ADSC23
ADSC24
ADSC25
ADSC26
ADSC27
ADSC28
ADSC29
ADSC30
ADSC31
ADSC32
ADSC33
ADSC34
ADSC35
ADSC36
ADSC37
ADSC38
ADSC39
ADSC40
ADSC41
ADSC42
ADSC43
ADSC44
ADSC45
ADSC46
ADSC47
ADSC48
ADSC49
ADSC50
ADSC51
ADSC52
ADSC53
ADSC54
ADSC55
ADSC56
ADSC57
ADSC58
ADSC59
ADSC60
ADSC61
ADSC62
ADSC63
ADSC64
ADSC65
ADSC66
ADSC67
ADSC68
ADSC69
ADSC70
ADSC71
ADSC72
ADSC73
ADSC74
ADSC75
ADSC76
ADSC77
ADSC78
ADSC79
ADSC80
ADSC81
ADSC82
ADSC83
ADSC84
ADSC85
ADSC86
ADSC87
ADSC88
ADSC89
ADSC90
ADSC91
ADSC92
ADSC93
ADSC94
ADSC95
ADSC96
ADSC97
ADSC98
ADSC99
ADSC100

ADSC1
ADSC2
ADSC3
ADSC4
ADSC5
ADSC6
ADSC7
ADSC8
ADSC9
ADSC10
ADSC11
ADSC12
ADSC13
ADSC14
ADSC15
ADSC16
ADSC17
ADSC18
ADSC19
ADSC20
ADSC21
ADSC22
ADSC23
ADSC24
ADSC25
ADSC26
ADSC27
ADSC28
ADSC29
ADSC30
ADSC31
ADSC32
ADSC33
ADSC34
ADSC35
ADSC36
ADSC37
ADSC38
ADSC39
ADSC40
ADSC41
ADSC42
ADSC43
ADSC44
ADSC45
ADSC46
ADSC47
ADSC48
ADSC49
ADSC50
ADSC51
ADSC52
ADSC53
ADSC54
ADSC55
ADSC56
ADSC57
ADSC58
ADSC59
ADSC60
ADSC61
ADSC62
ADSC63
ADSC64
ADSC65
ADSC66
ADSC67
ADSC68
ADSC69
ADSC70
ADSC71
ADSC72
ADSC73
ADSC74
ADSC75
ADSC76
ADSC77
ADSC78
ADSC79
ADSC80
ADSC81
ADSC82
ADSC83
ADSC84
ADSC85
ADSC86
ADSC87
ADSC88
ADSC89
ADSC90
ADSC91
ADSC92
ADSC93
ADSC94
ADSC95
ADSC96
ADSC97
ADSC98
ADSC99
ADSC100

ADSC1
ADSC2
ADSC3
ADSC4
ADSC5
ADSC6
ADSC7
ADSC8
ADSC9
ADSC10
ADSC11
ADSC12
ADSC13
ADSC14
ADSC15
ADSC16
ADSC17
ADSC18
ADSC19
ADSC20
ADSC21
ADSC22
ADSC23
ADSC24
ADSC25
ADSC26
ADSC27
ADSC28
ADSC29
ADSC30
ADSC31
ADSC32
ADSC33
ADSC34
ADSC35
ADSC36
ADSC37
ADSC38
ADSC39
ADSC40
ADSC41
ADSC42
ADSC43
ADSC44
ADSC45
ADSC46
ADSC47
ADSC48
ADSC49
ADSC50
ADSC51
ADSC52
ADSC53
ADSC54
ADSC55
ADSC56
ADSC57
ADSC58
ADSC59
ADSC60
ADSC61
ADSC62
ADSC63
ADSC64
ADSC65
ADSC66
ADSC67
ADSC68
ADSC69
ADSC70
ADSC71
ADSC72
ADSC73
ADSC74
ADSC75
ADSC76
ADSC77
ADSC78
ADSC79
ADSC80
ADSC81
ADSC82
ADSC83
ADSC84
ADSC85
ADSC86
ADSC87
ADSC88
ADSC89
ADSC90
ADSC91
ADSC92
ADSC93
ADSC94
ADSC95
ADSC96
ADSC97
ADSC98
ADSC99
ADSC100

ADSC1
ADSC2
ADSC3
ADSC4
ADSC5
ADSC6
ADSC7
ADSC8
ADSC9
ADSC10
ADSC11
ADSC12
ADSC13
ADSC14
ADSC15
ADSC16
ADSC17
ADSC18
ADSC19
ADSC20
ADSC21
ADSC22
ADSC23
ADSC24
ADSC25
ADSC26
ADSC27
ADSC28
ADSC29
ADSC30
ADSC31
ADSC32
ADSC33
ADSC34
ADSC35
ADSC36
ADSC37
ADSC38
ADSC39
ADSC40
ADSC41
ADSC42
ADSC43
ADSC44
ADSC45
ADSC46
ADSC47
ADSC48
ADSC49
ADSC50
ADSC51
ADSC52
ADSC53
ADSC54
ADSC55
ADSC56
ADSC57
ADSC58
ADSC59
ADSC60
ADSC61
ADSC62
ADSC63
ADSC64
ADSC65
ADSC66
ADSC67
ADSC68
ADSC69
ADSC70
ADSC71
ADSC72
ADSC73
ADSC74
ADSC75
ADSC76
ADSC77
ADSC78
ADSC79
ADSC80
ADSC81
ADSC82
ADSC83
ADSC84
ADSC85
ADSC86
ADSC87
ADSC88
ADSC89
ADSC90
ADSC91
ADSC92
ADSC93
ADSC94
ADSC95
ADSC96
ADSC97
ADSC98
ADSC99
ADSC100

ADSC1
ADSC2
ADSC3
ADSC4
ADSC5
ADSC6
ADSC7
ADSC8
ADSC9
ADSC10
ADSC11
ADSC12
ADSC13
ADSC14
ADSC15
ADSC16
ADSC17
ADSC18
ADSC19
ADSC20
ADSC21
ADSC22
ADSC23
ADSC24
ADSC25
ADSC26
ADSC27
ADSC28
ADSC29
ADSC30
ADSC31
ADSC32
ADSC33
ADSC34
ADSC35
ADSC36
ADSC37
ADSC38
ADSC39
ADSC40
ADSC41
ADSC42
ADSC43
ADSC44
ADSC45
ADSC46
ADSC47
ADSC48
ADSC49
ADSC50
ADSC51
ADSC52
ADSC53
ADSC54
ADSC55
ADSC56
ADSC57
ADSC58
ADSC59
ADSC60
ADSC61
ADSC62
ADSC63
ADSC64
ADSC65
ADSC66
ADSC67
ADSC68
ADSC69
ADSC70
ADSC71
ADSC72
ADSC73
ADSC74
ADSC75
ADSC76
ADSC77
ADSC78
ADSC79
ADSC80
ADSC81
ADSC82
ADSC83
ADSC84
ADSC85
ADSC86
ADSC87
ADSC88
ADSC89
ADSC90
ADSC91
ADSC92
ADSC93
ADSC94
ADSC95
ADSC96
ADSC97
ADSC98
ADSC99
ADSC100

TO SHEET 6

MODEL XV-S40BK/S42SL/S45GD /S30BK/E100SL/S100 SHEET 5/6 Digital data signal

AV Decoder section

LVB10226-A1

7

6

5

4

3

2

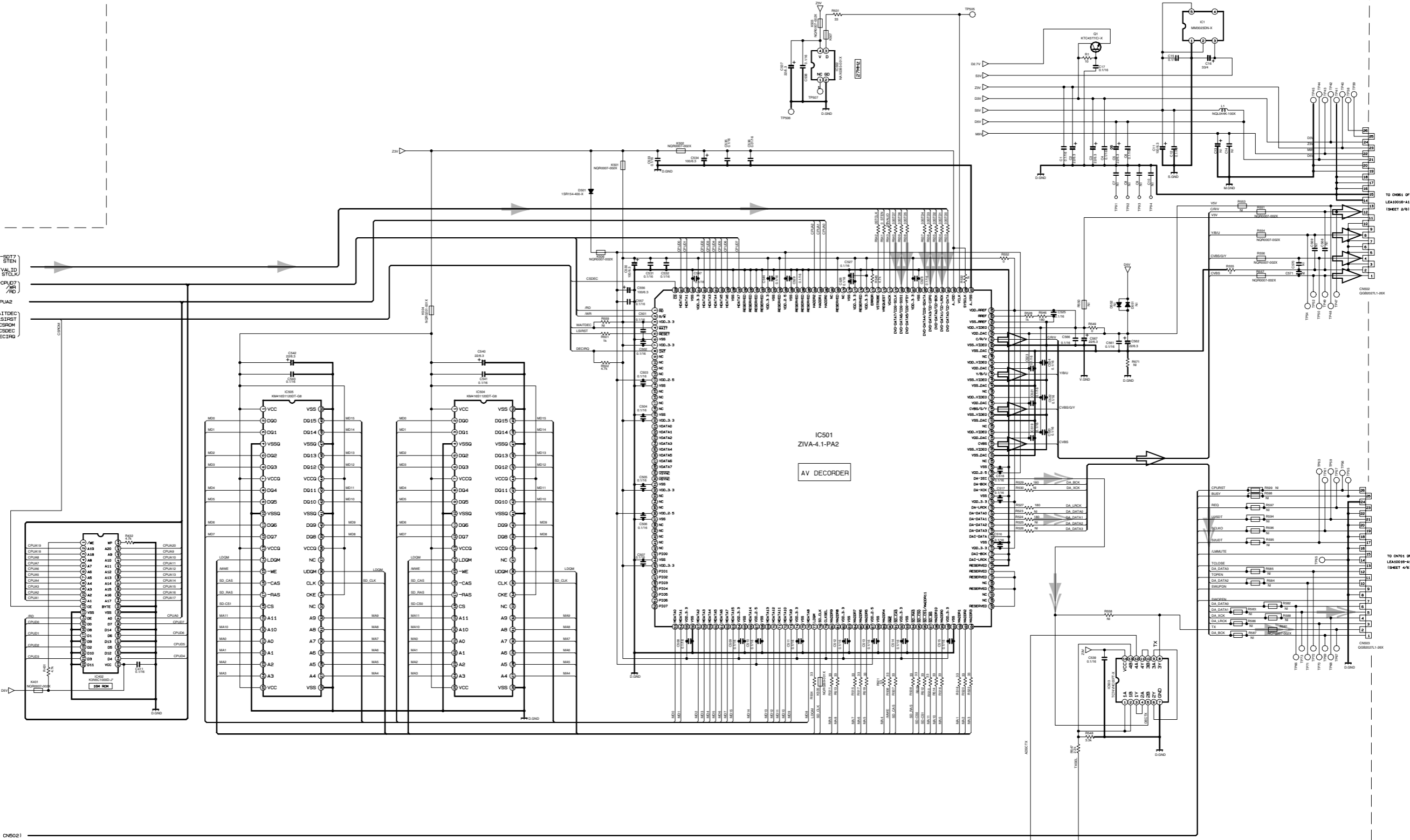
1

TO SHEET 5

TO SHEET 5

STD0~SDT7
STEN
STVAL ID
STCLK
CPU00~CPU07
/RD
CPUA0~CPUA2
WAITDEC
LS1PST
CSR0M
CSDEC
DEC1PG

(TO CN502)
TXSEL
AS5CTX



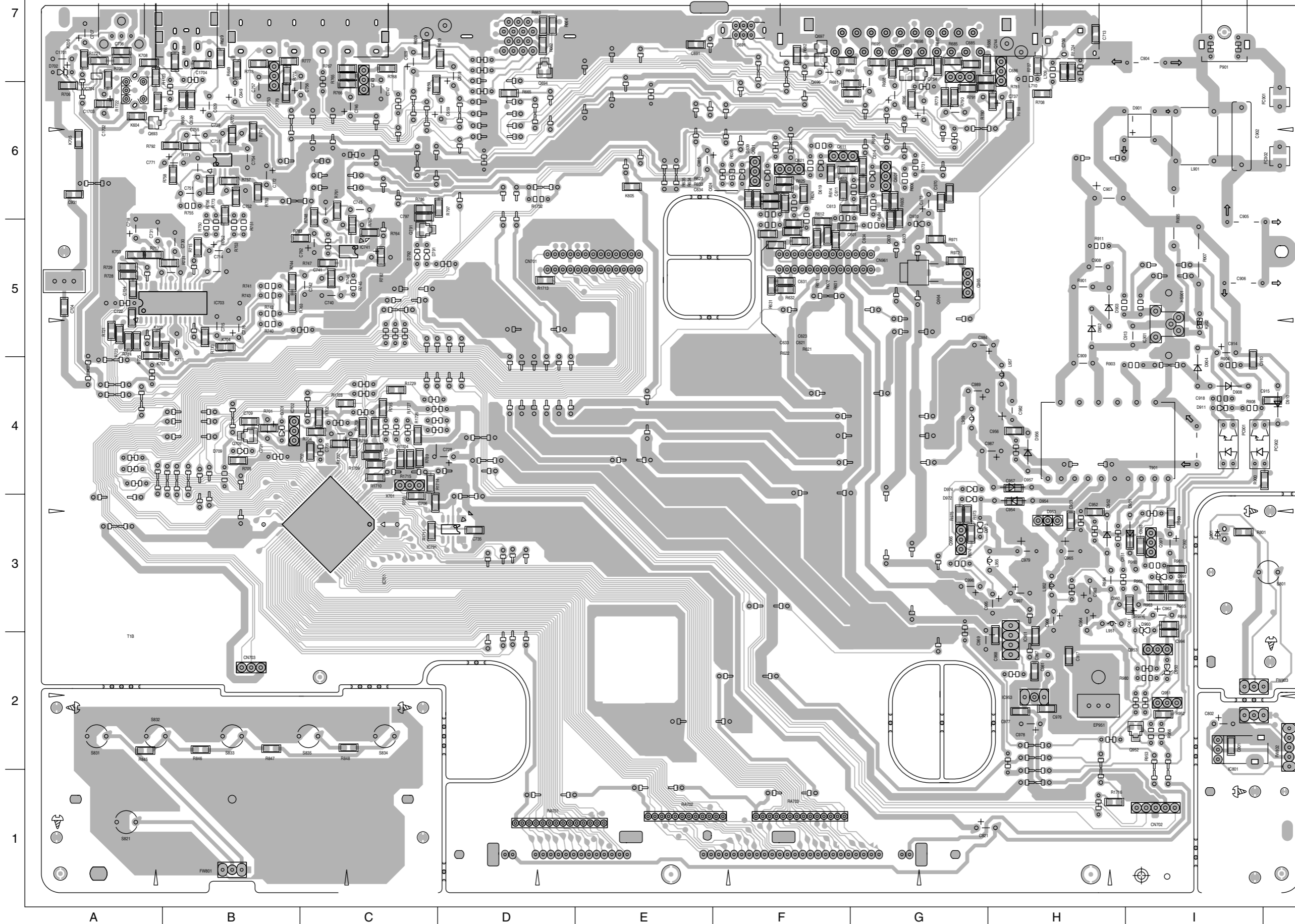
➡ Digital data signal ➡ Video signal ➡ Audio signal

MODEL XV-S40BK/S42SL/S45GD /S30BK/E100SL/S100

SHEET 6 / E

Printed circuit board

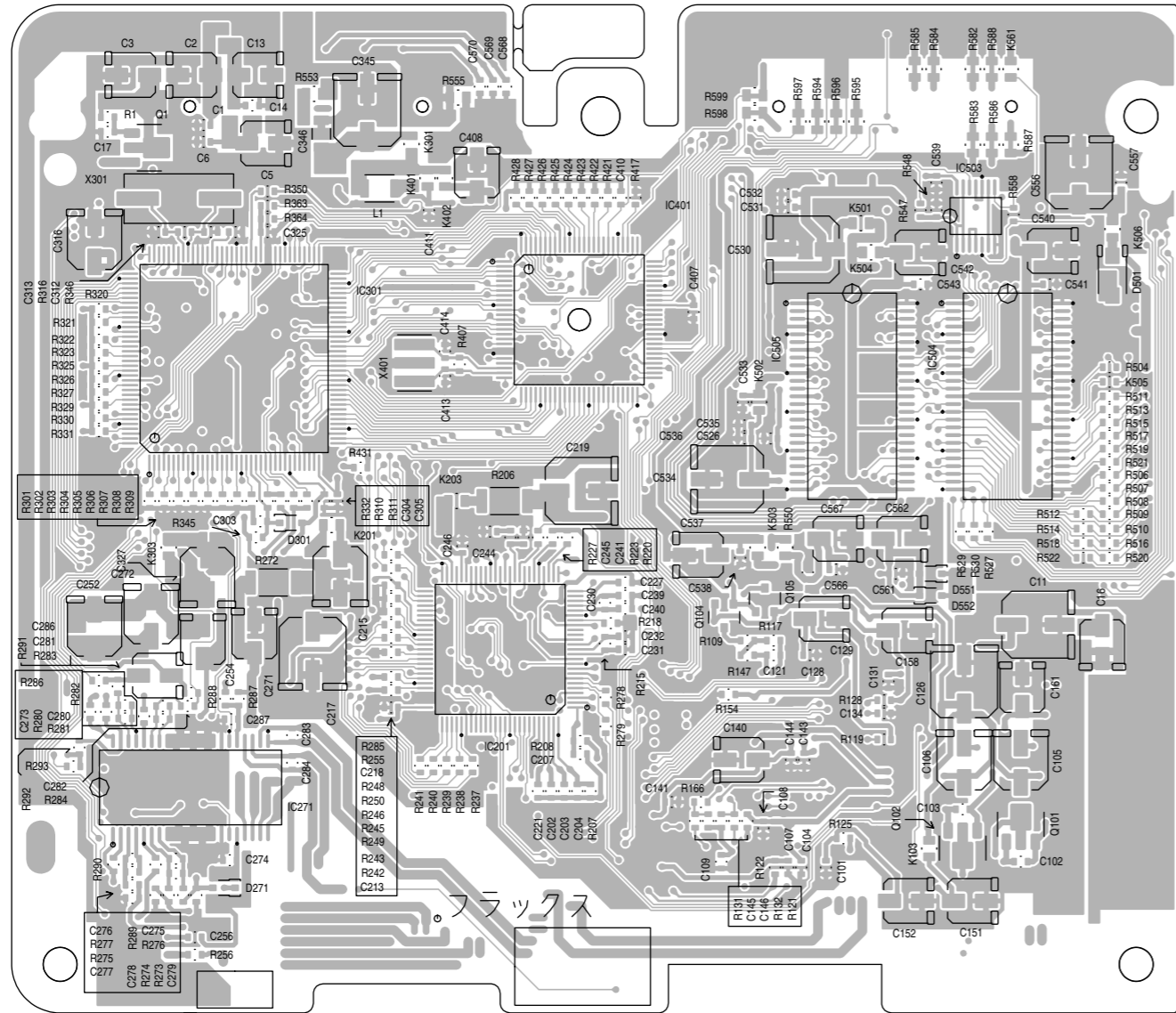
■ Main board



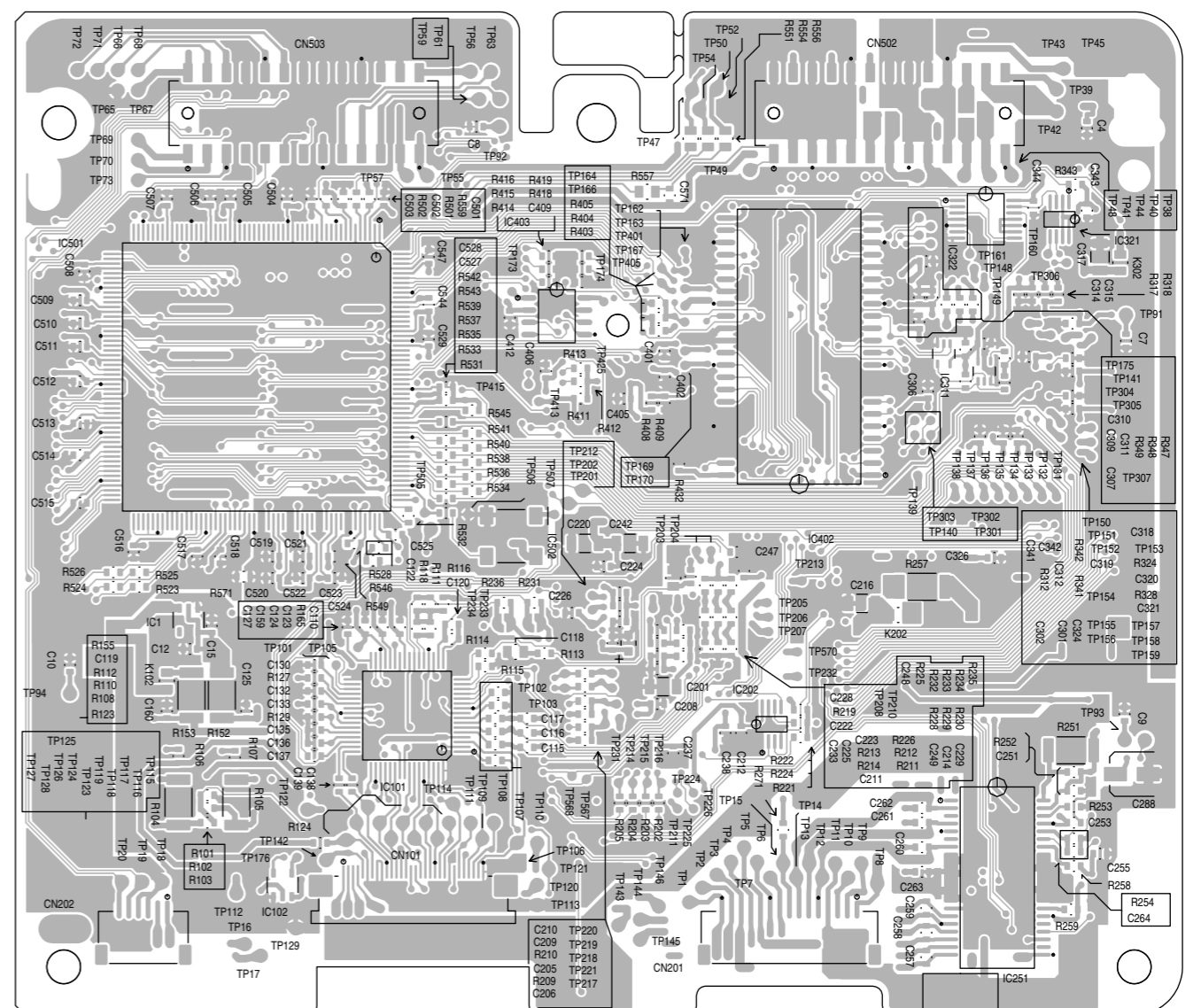
■ DVD Servo control board

7
6
5
4
3
2
1

Forward side



Reverse side



A B C D E F G H I J